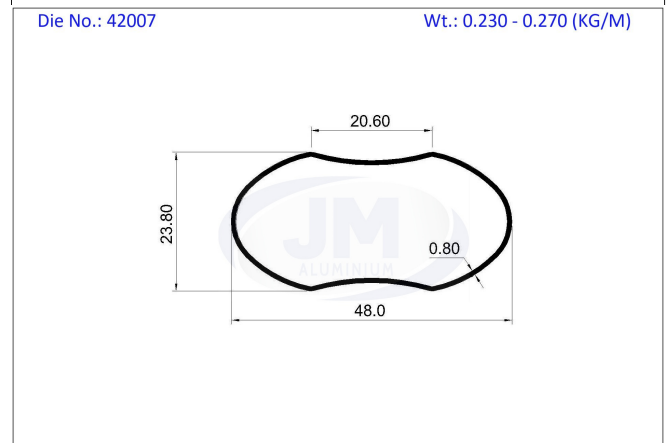
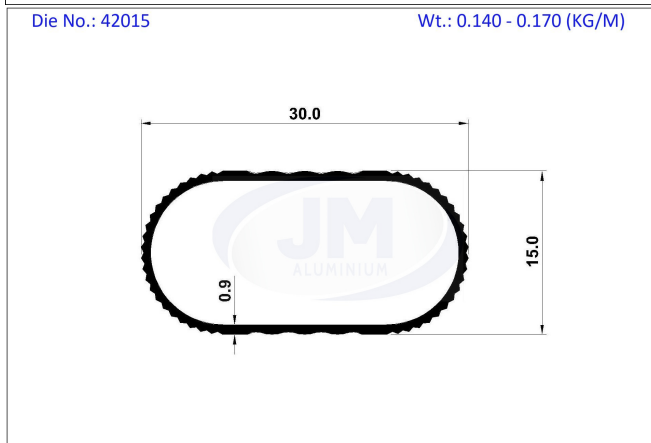
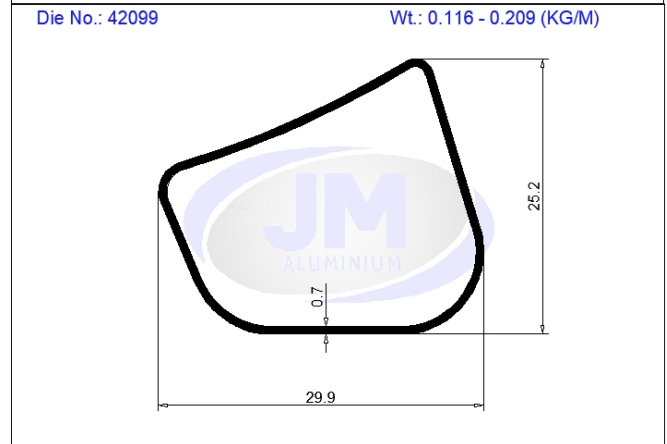
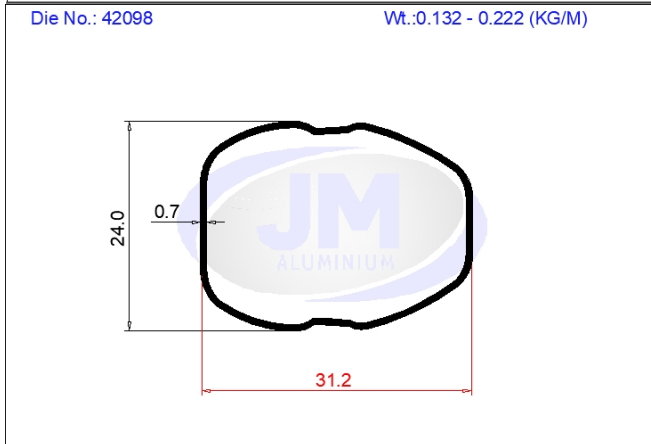
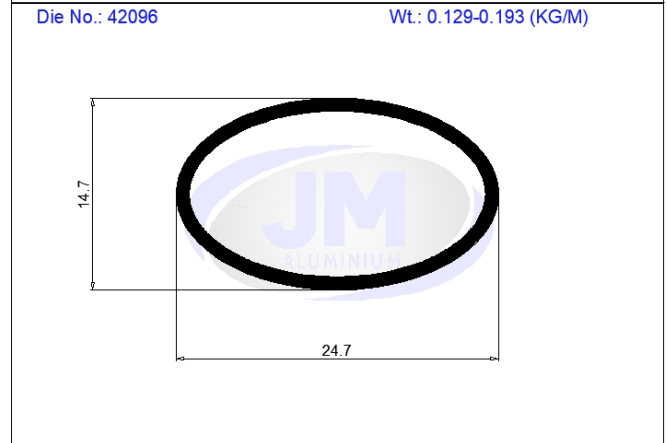
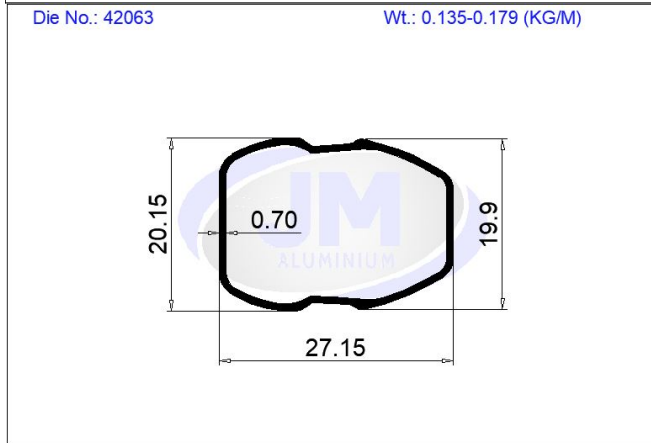
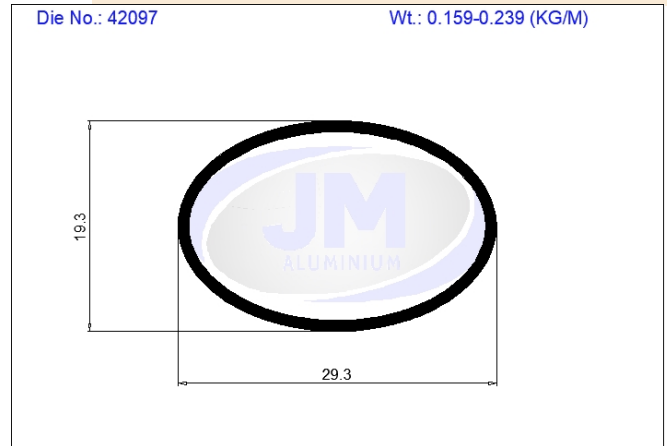
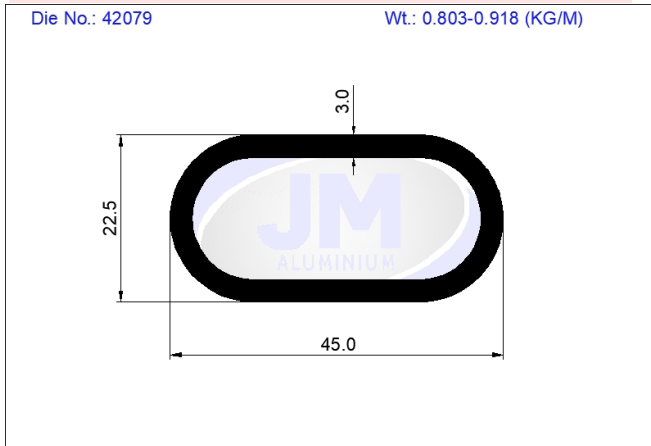


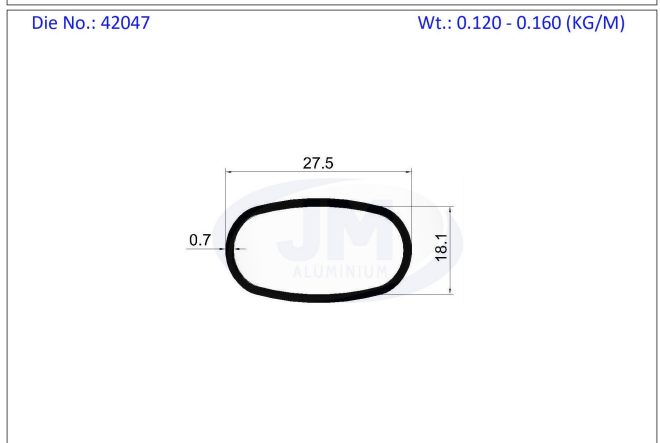
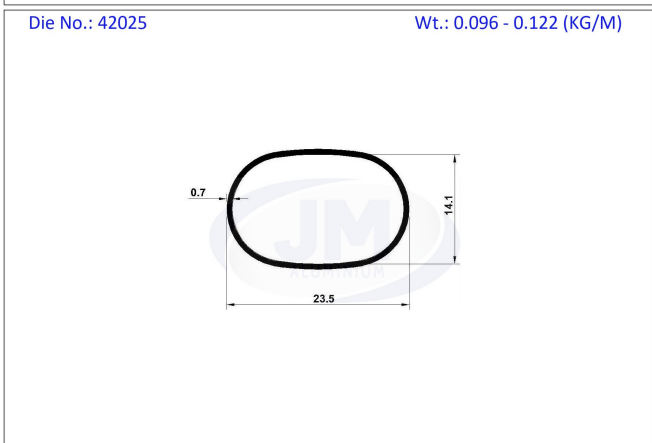
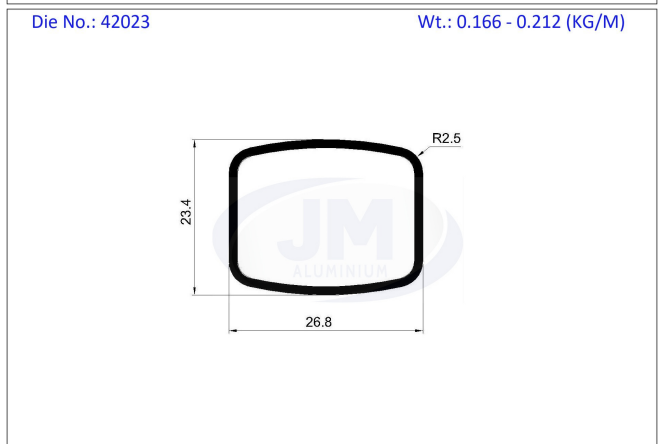
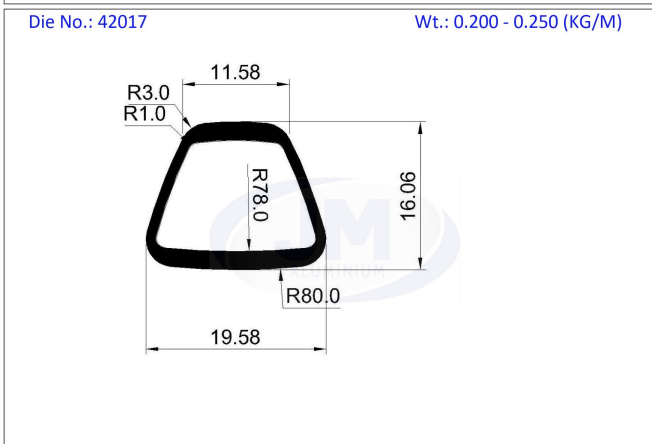
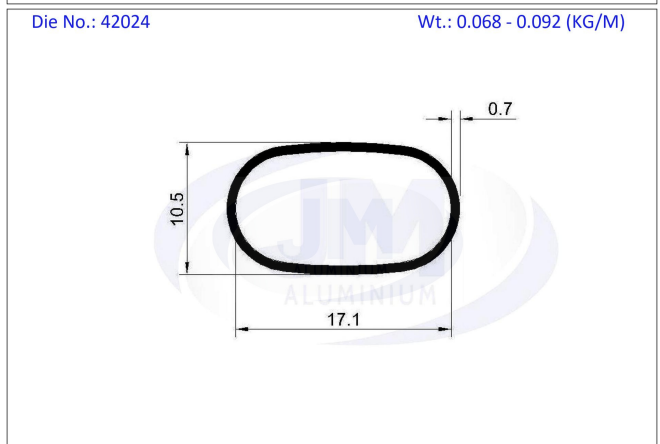
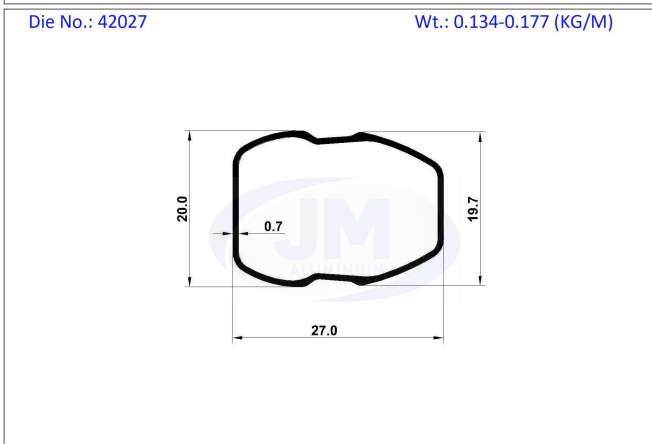
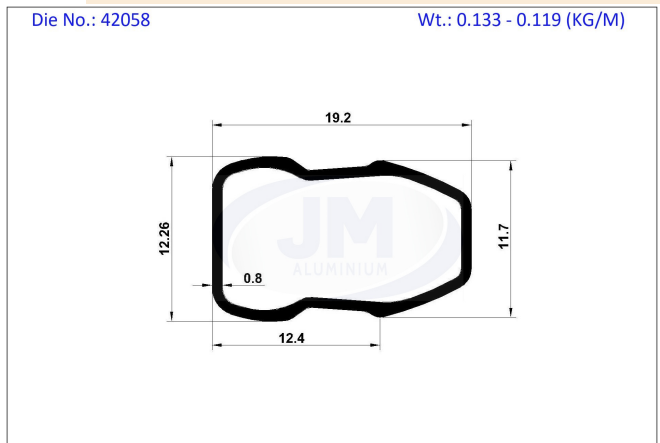
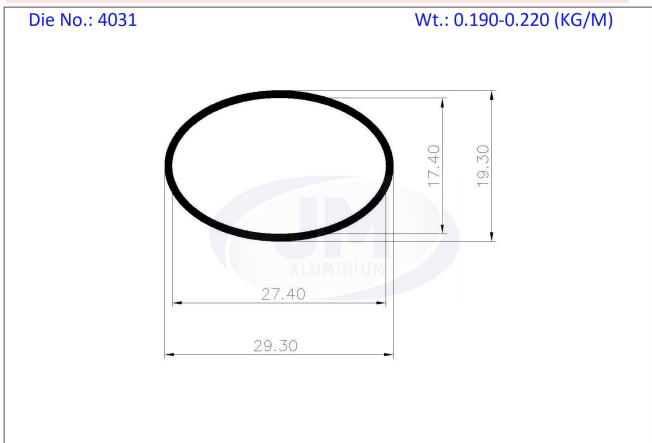
INDUSTRIAL

Suitcase Section



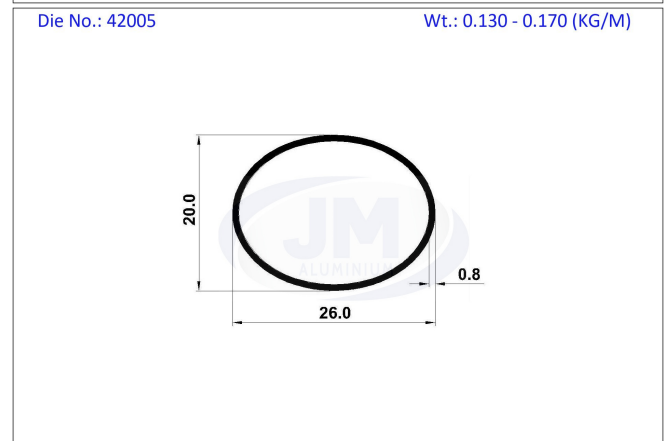
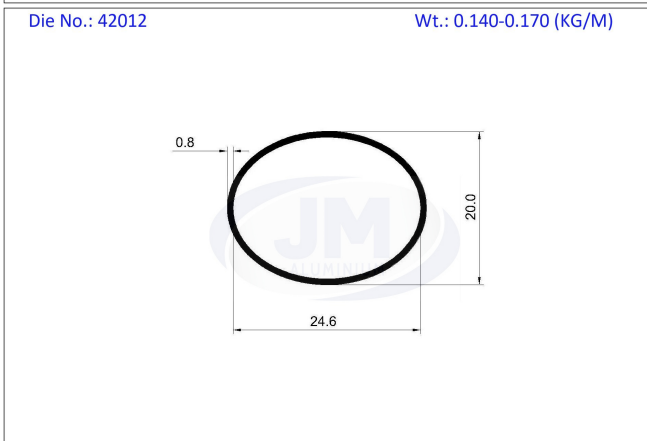
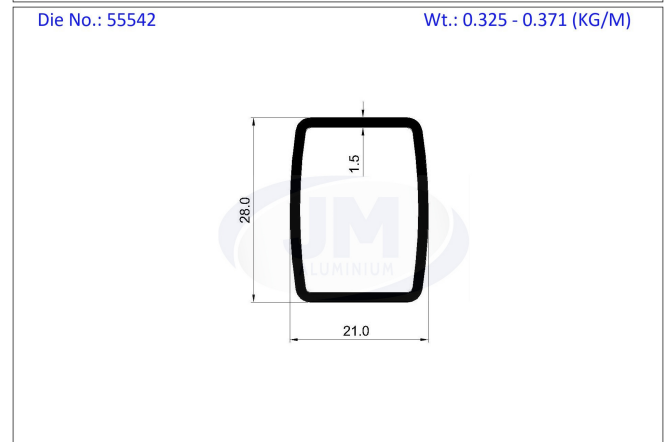
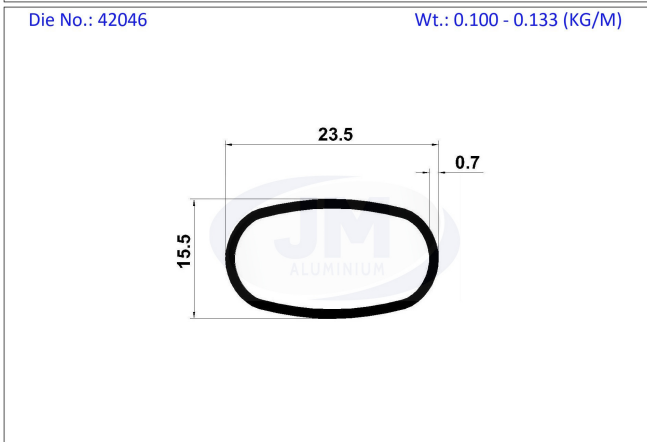
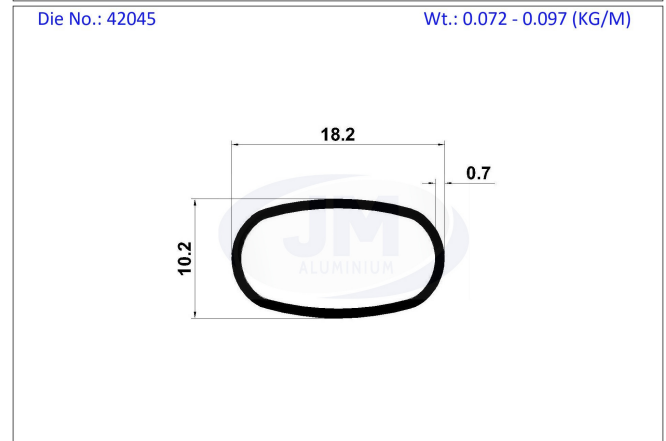
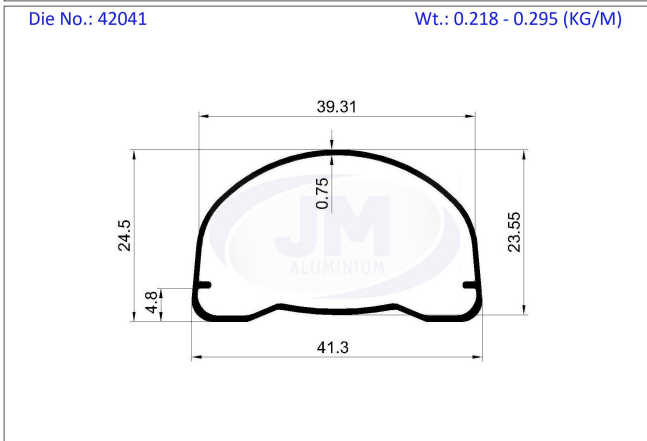
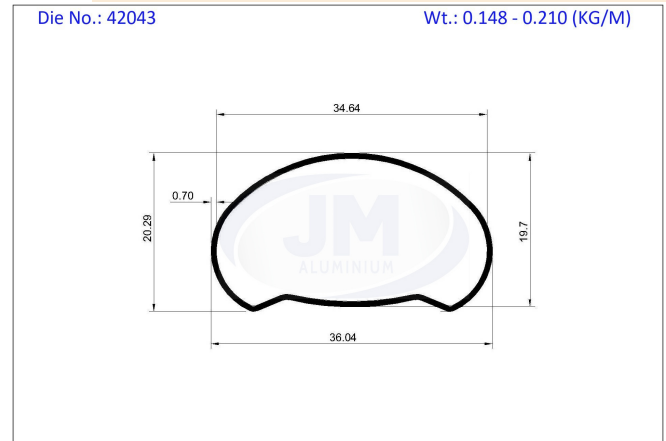
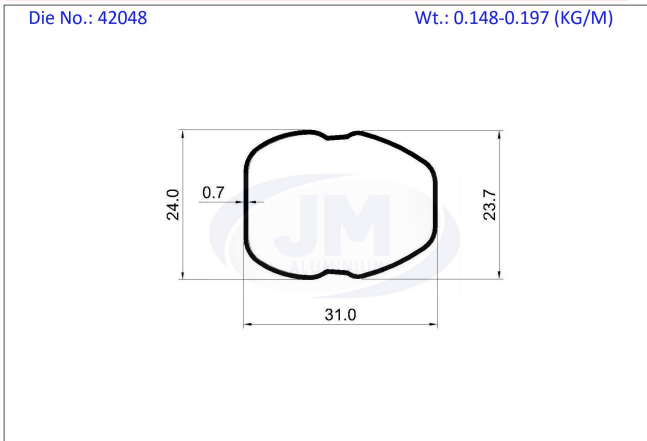
INDUSTRIAL

Suitcase Section



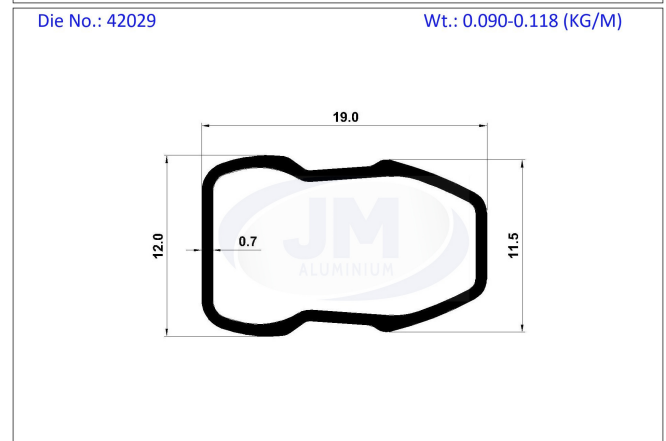
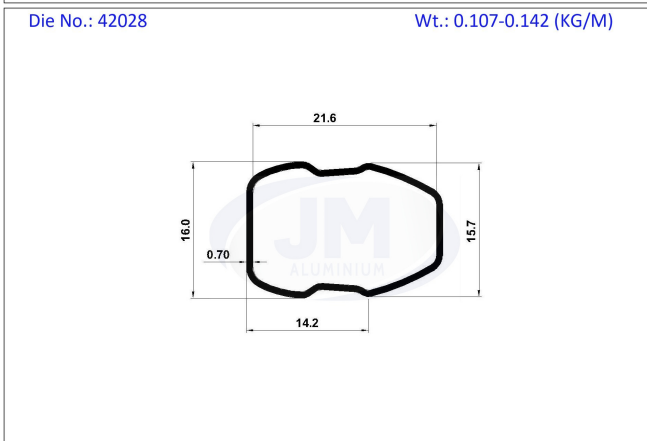
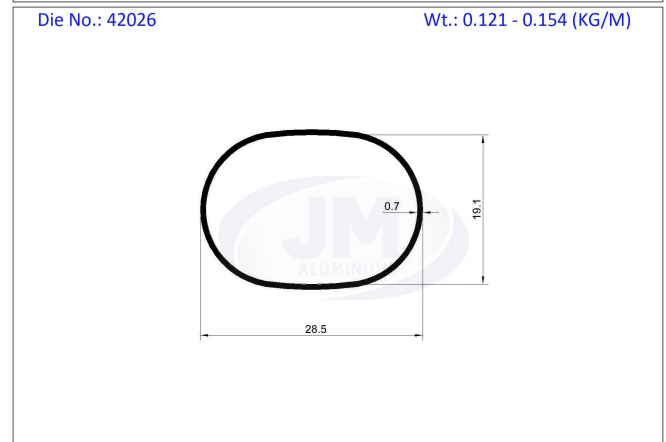
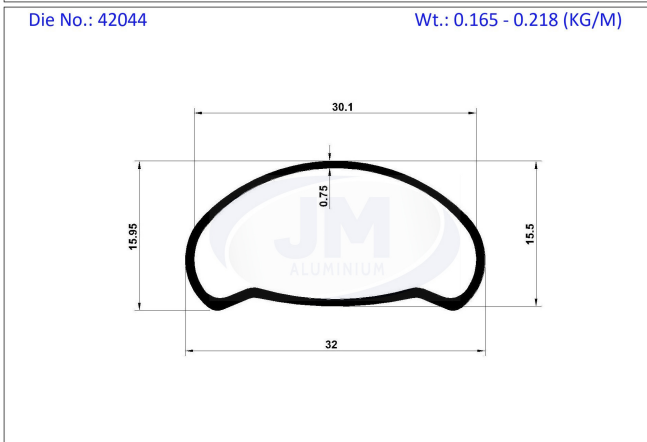
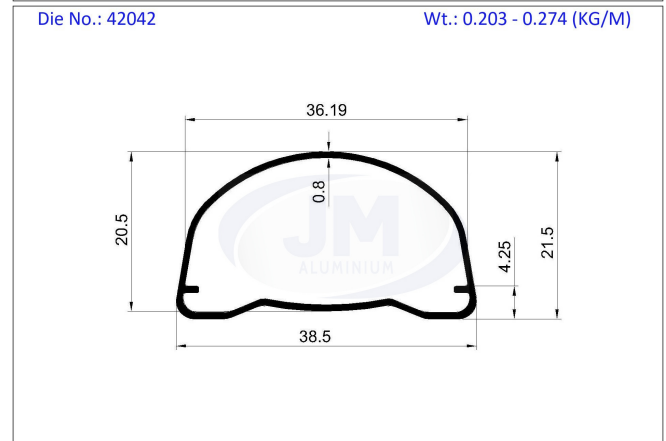
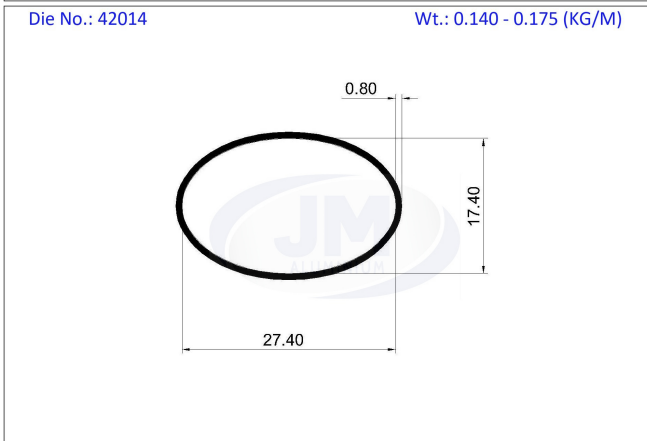
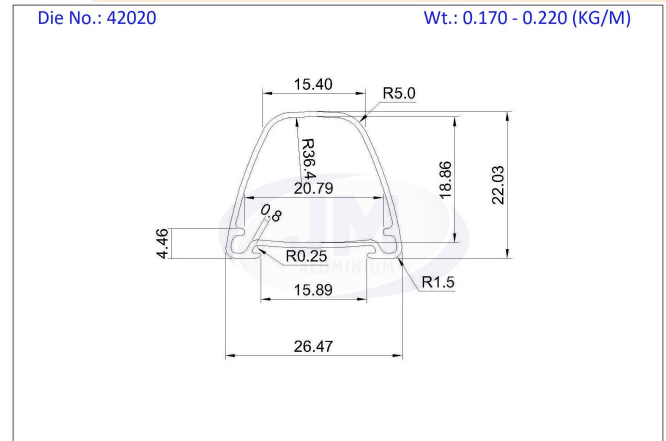
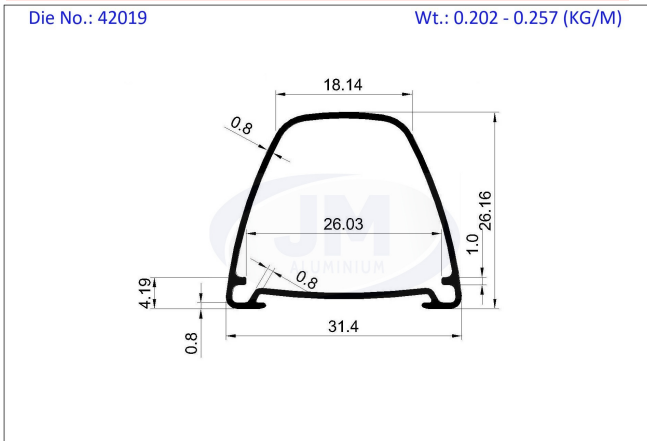
INDUSTRIAL

Suitcase Section

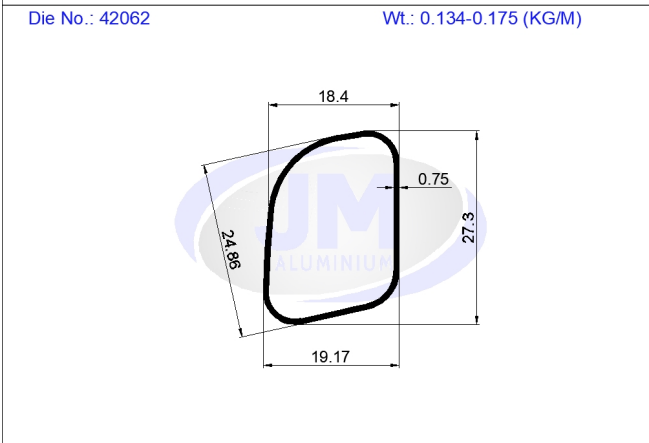
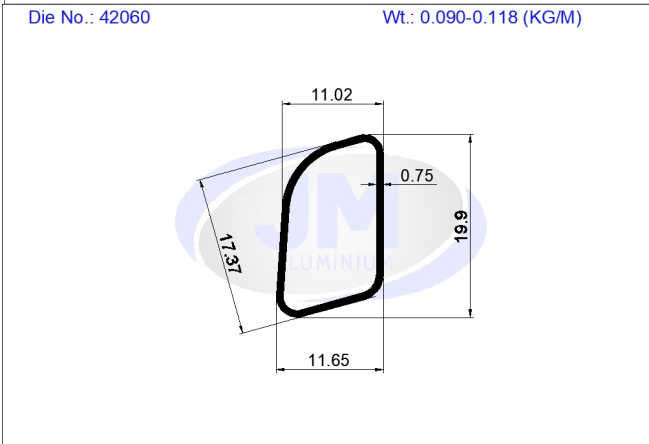
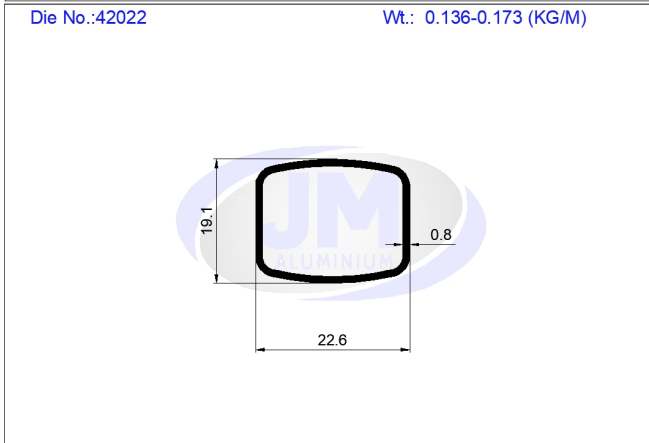
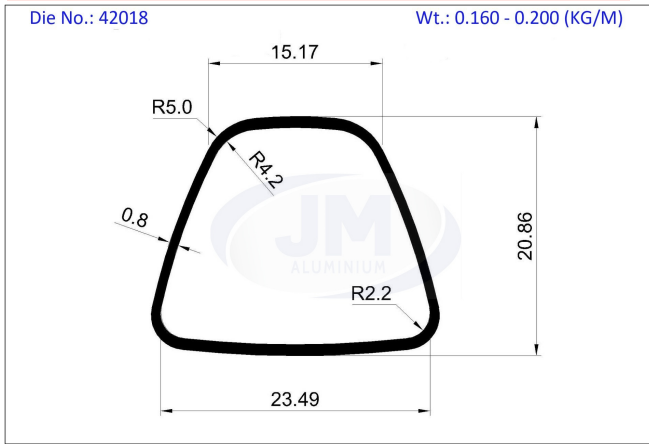


INDUSTRIAL

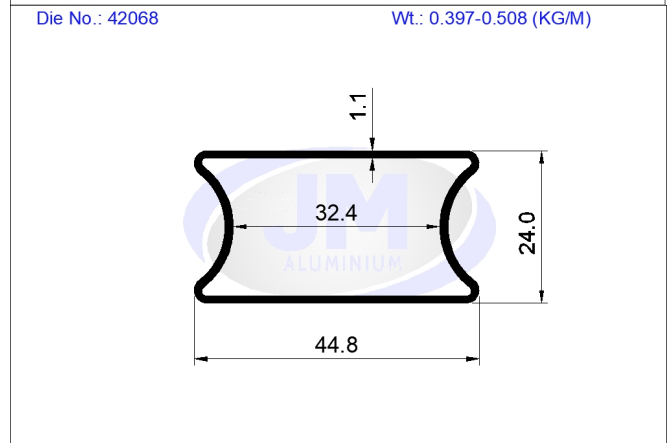
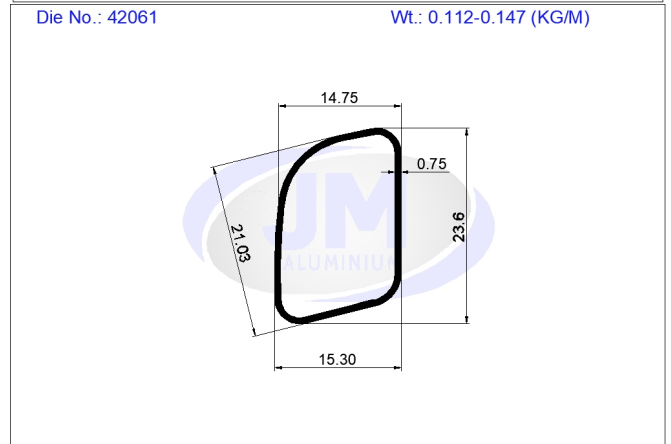
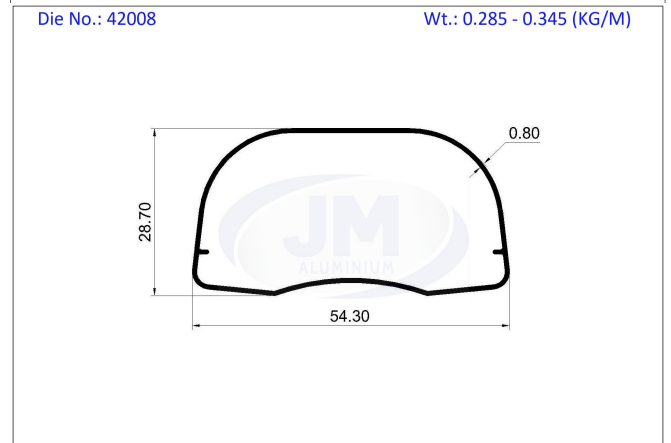
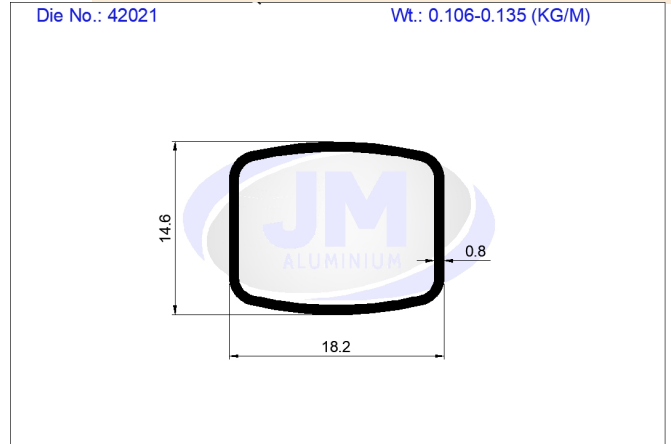
Suitcase Section



INDUSTRIAL

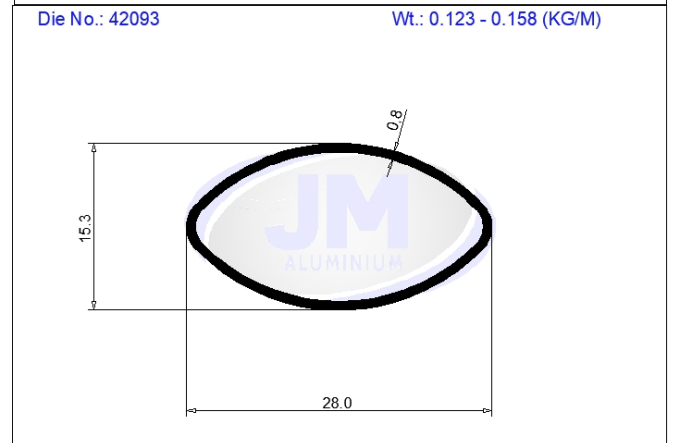
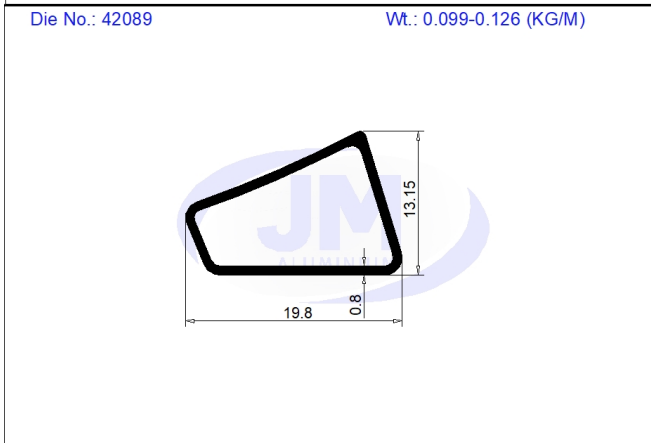
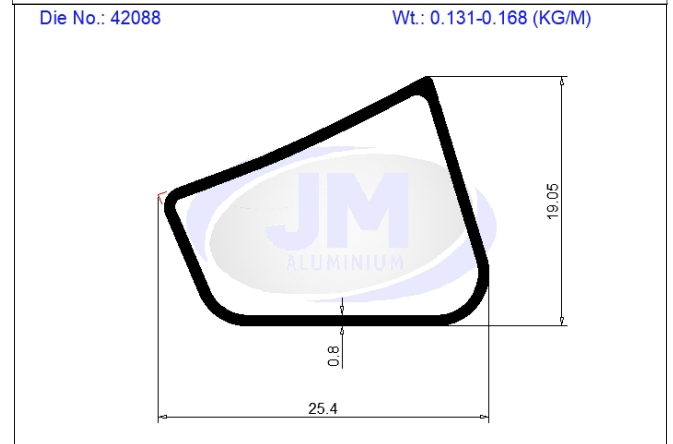
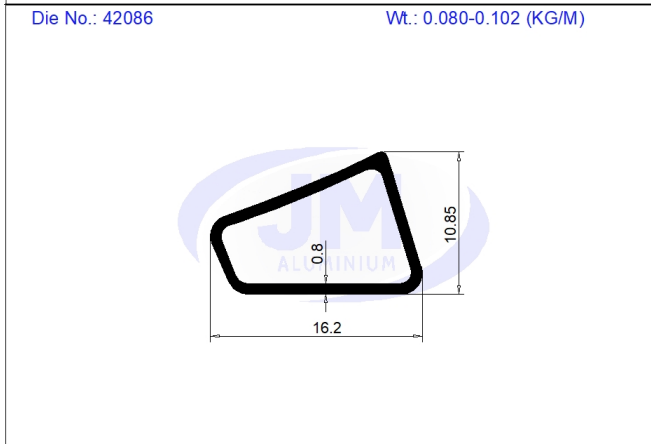
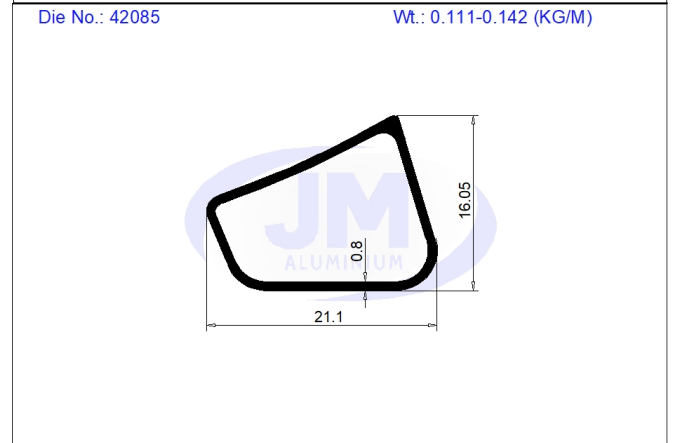
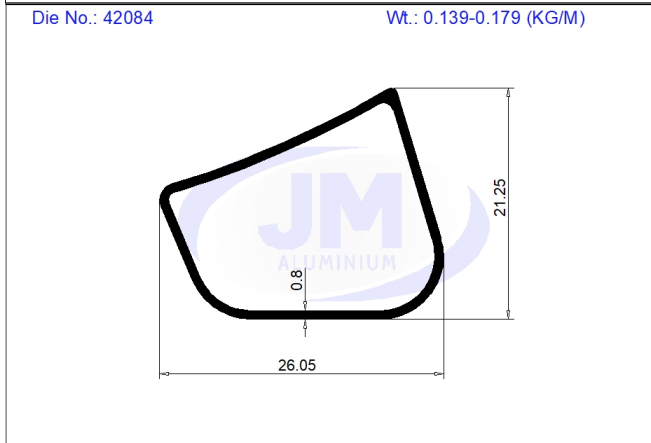
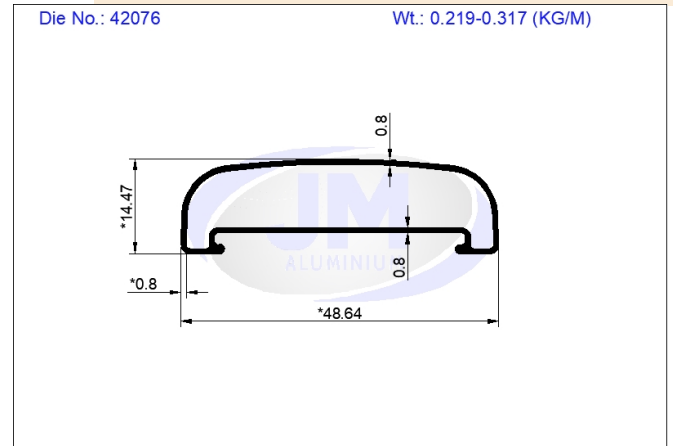
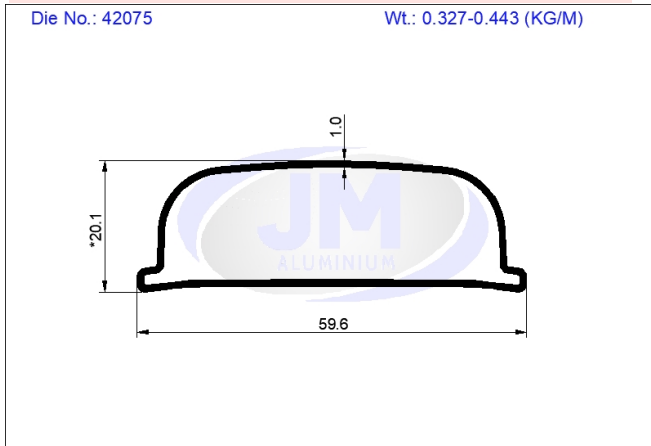


Suitcase Section

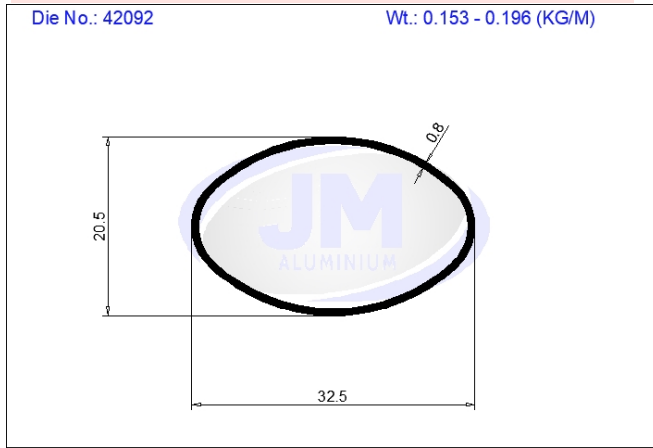


INDUSTRIAL

Suitcase Section



INDUSTRIAL



Suitcase Section

