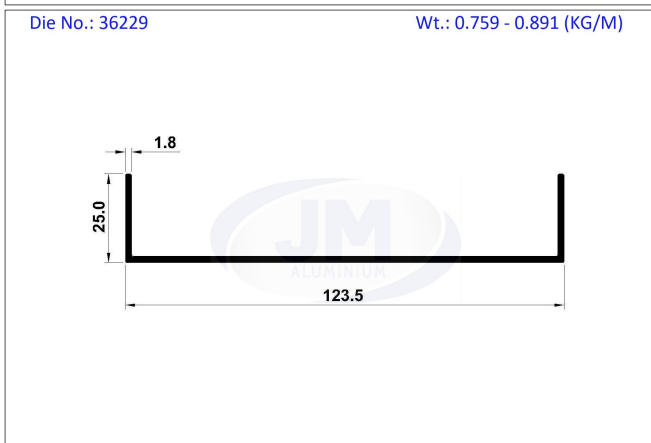
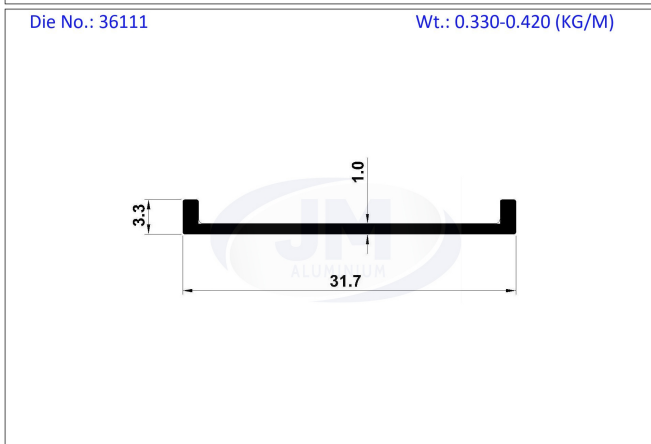
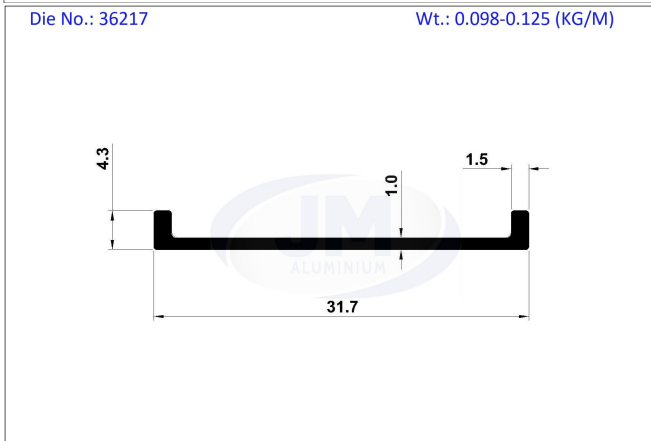
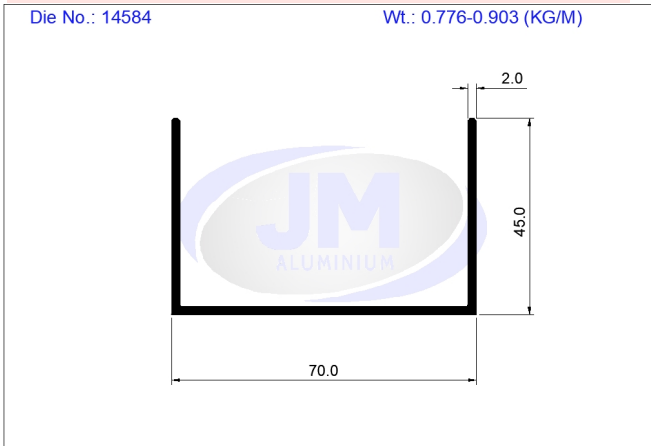
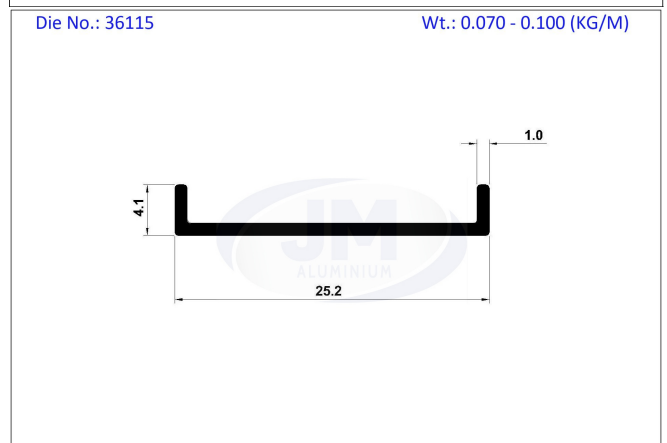
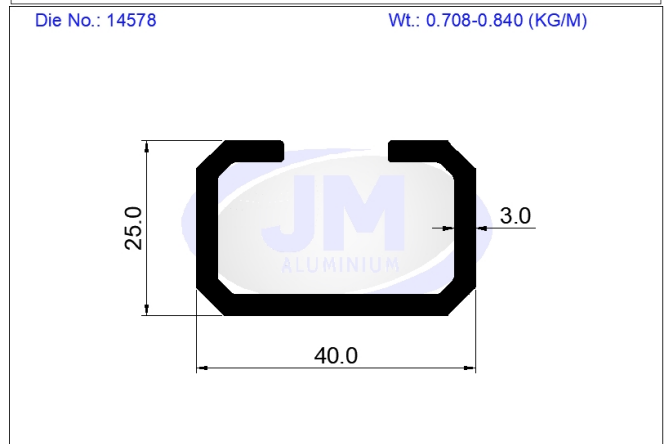
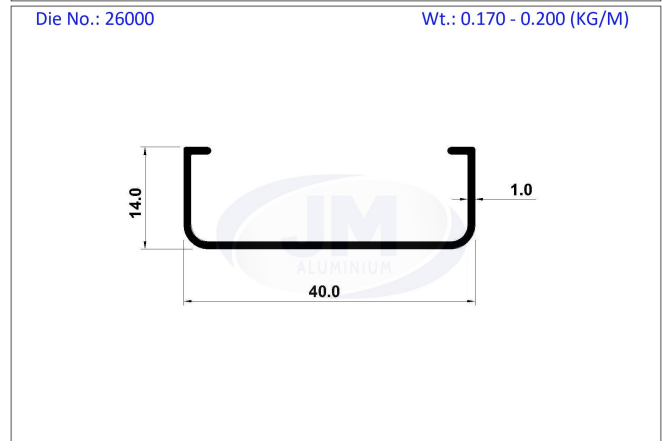
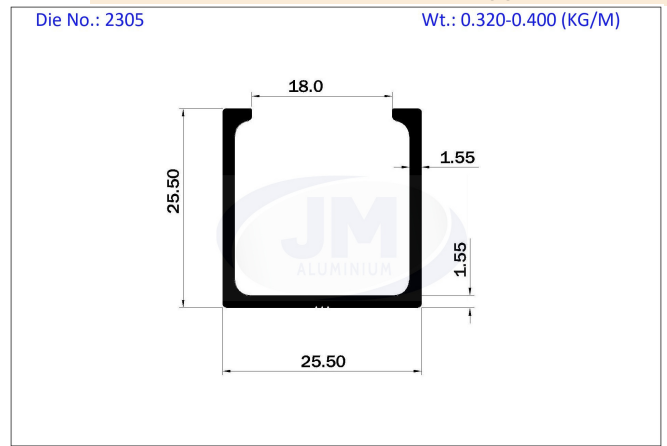


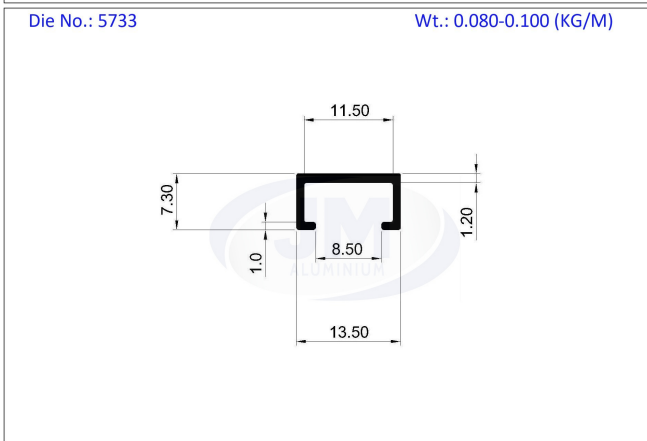
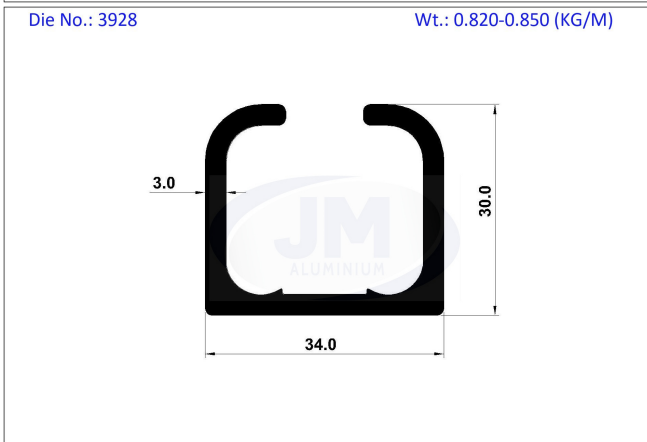
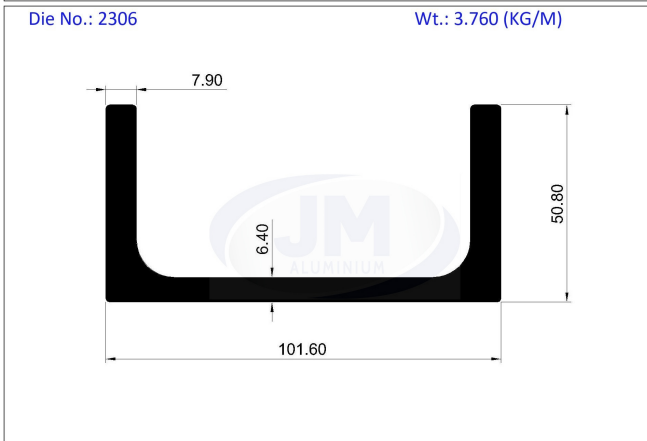
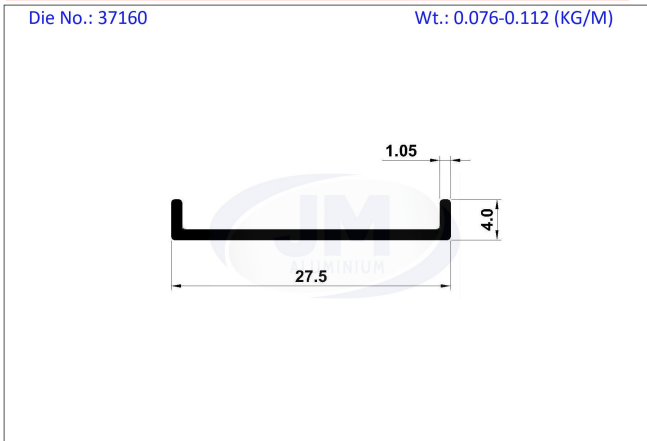
GEOMETRICAL SHAPES



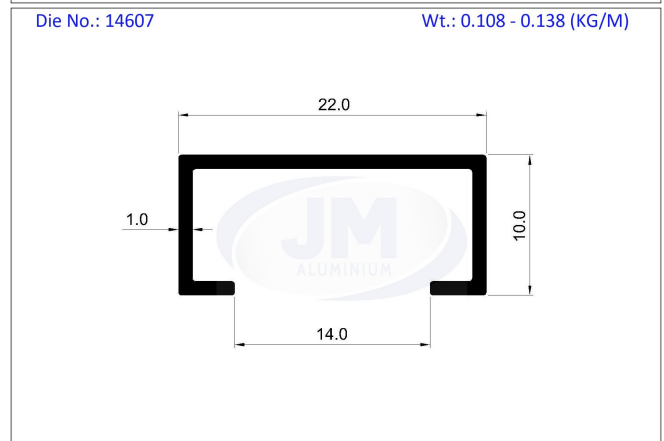
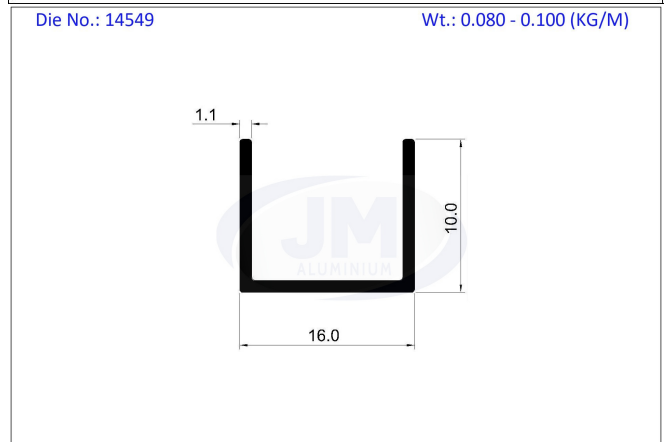
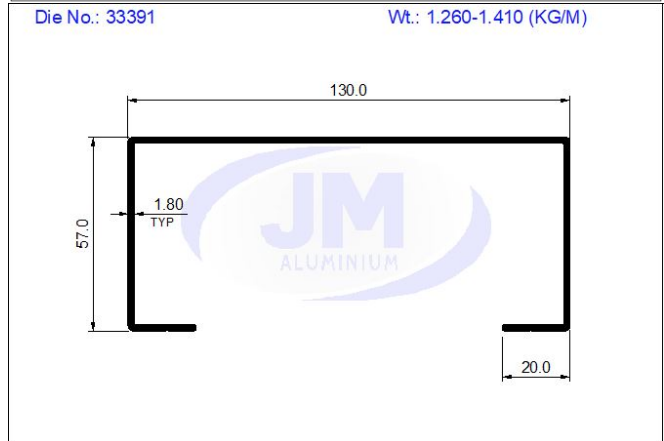
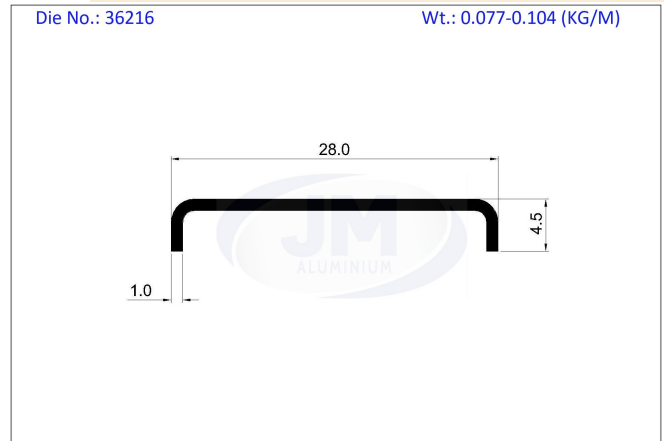
C-Channel & Round Type Channel



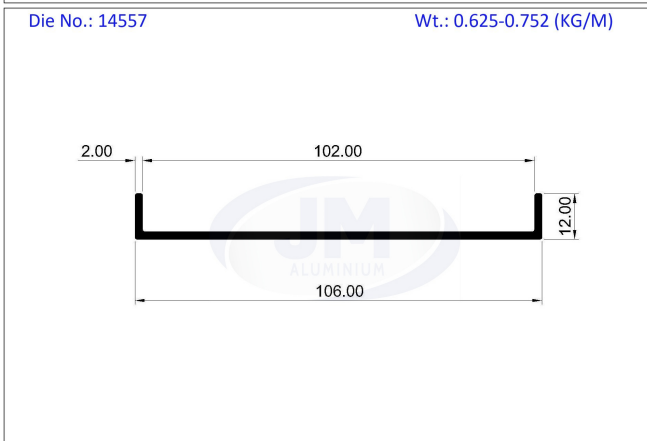
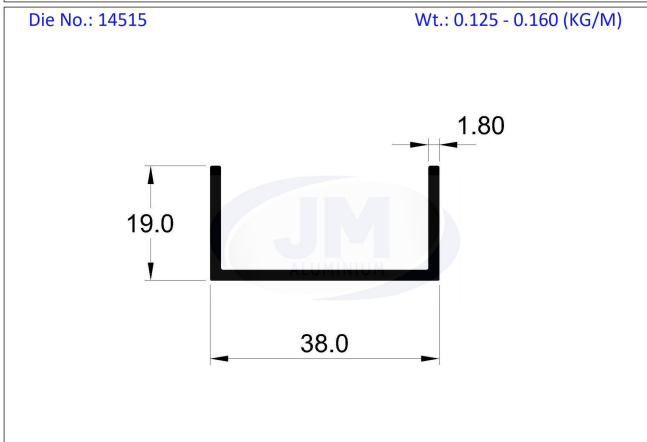
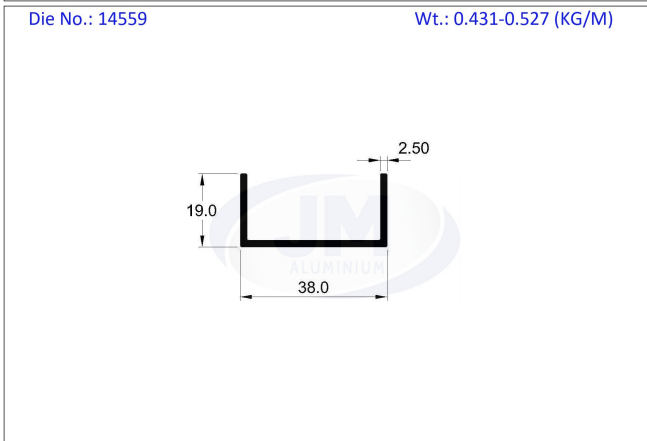
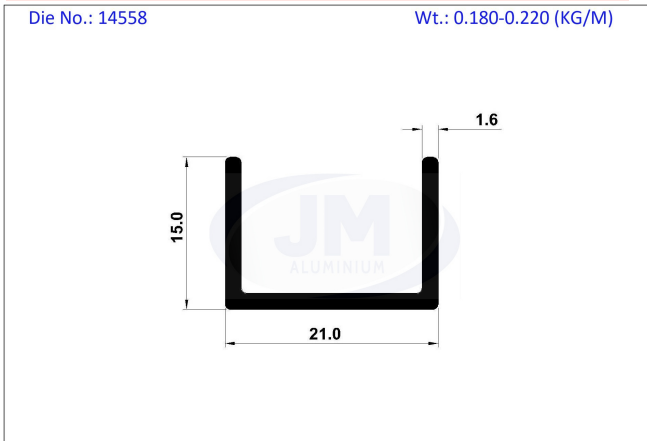
GEOMETRICAL SHAPES



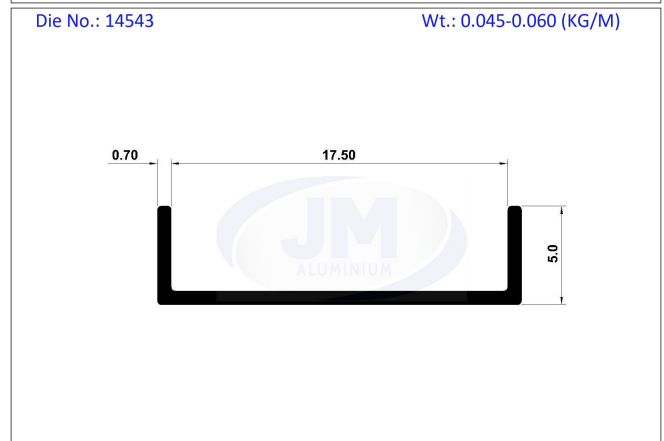
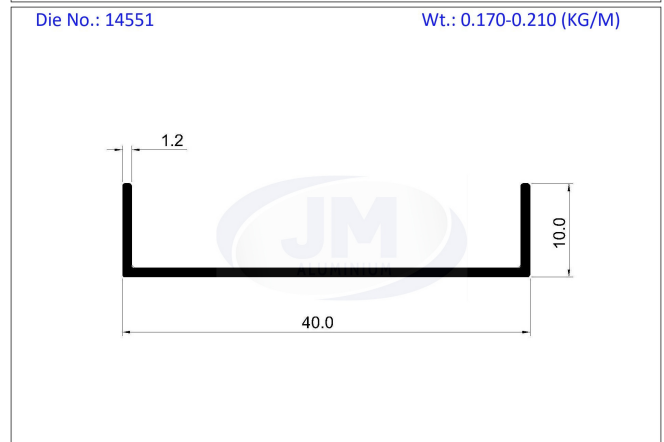
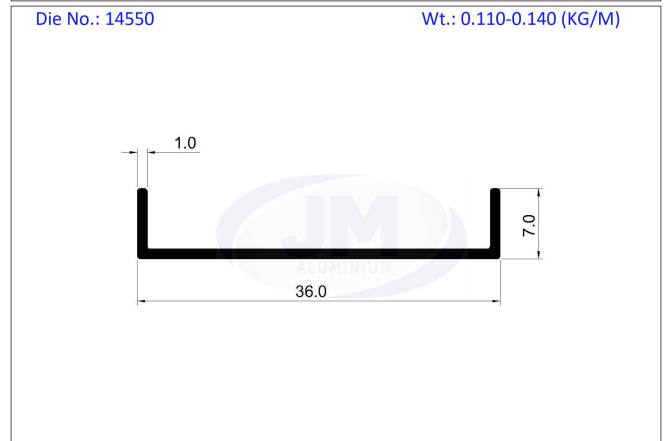
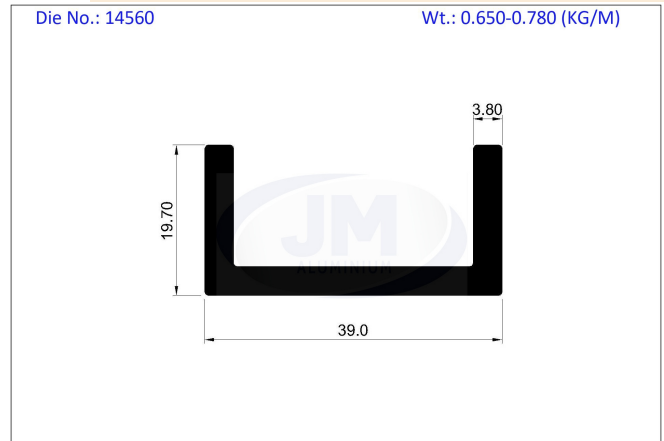
C-Channel & Round Type Channel



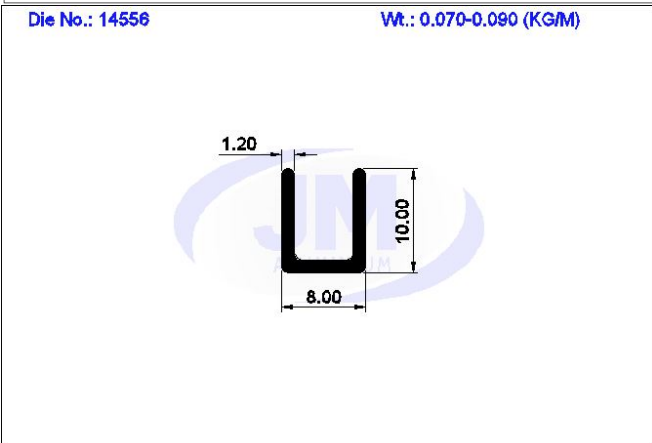
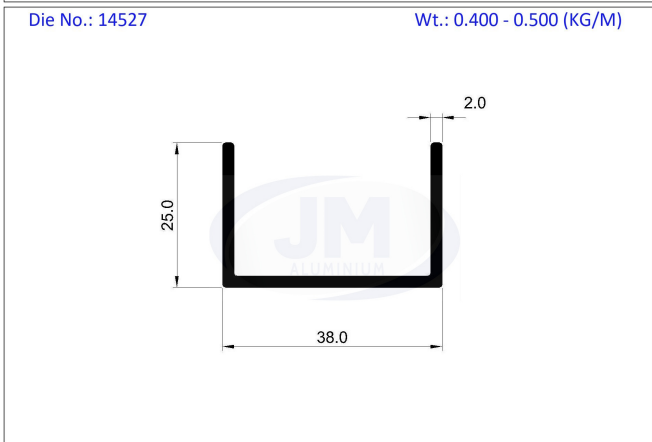
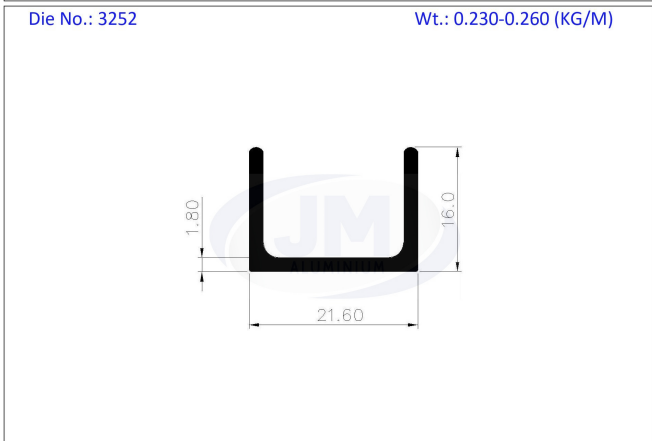
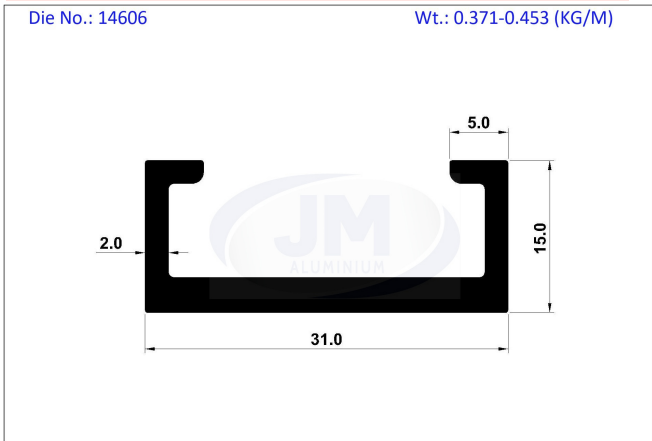
GEOMETRICAL SHAPES



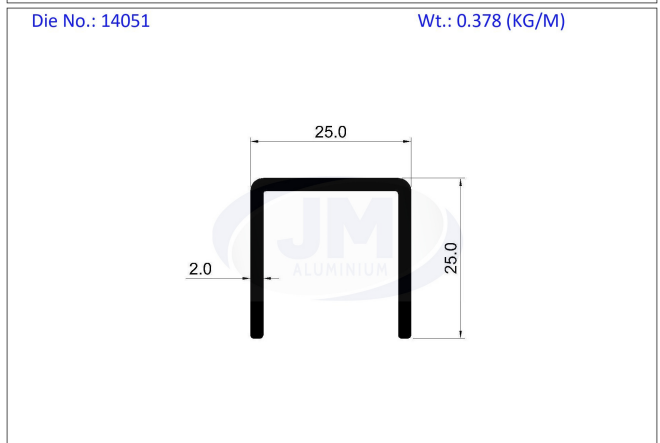
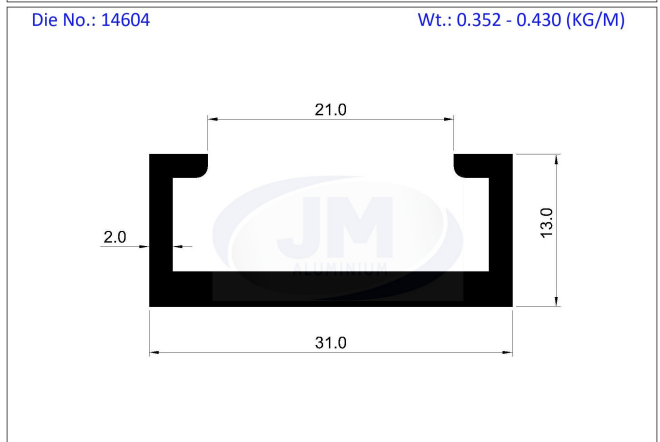
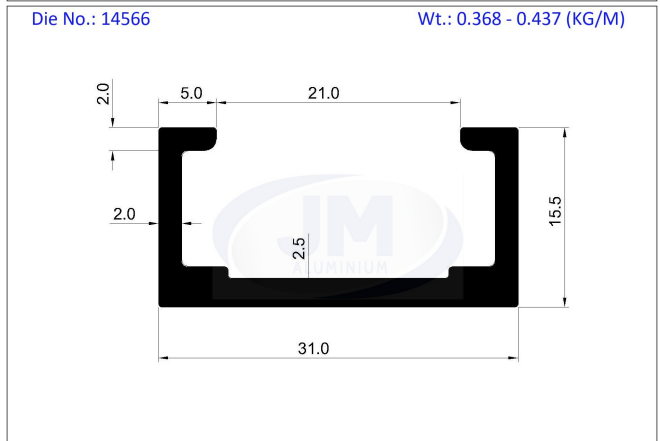
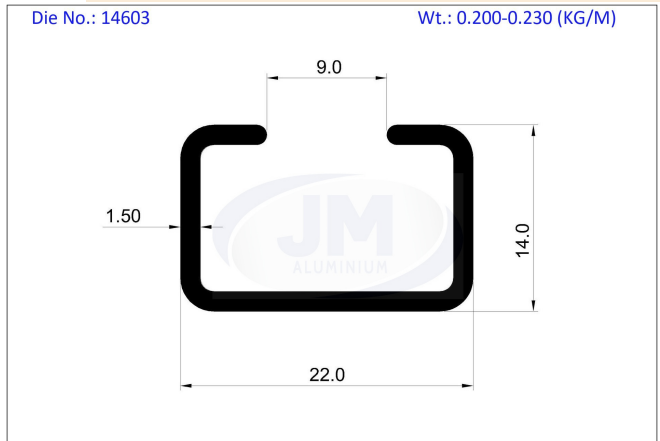
C-Channel & Round Type Channel



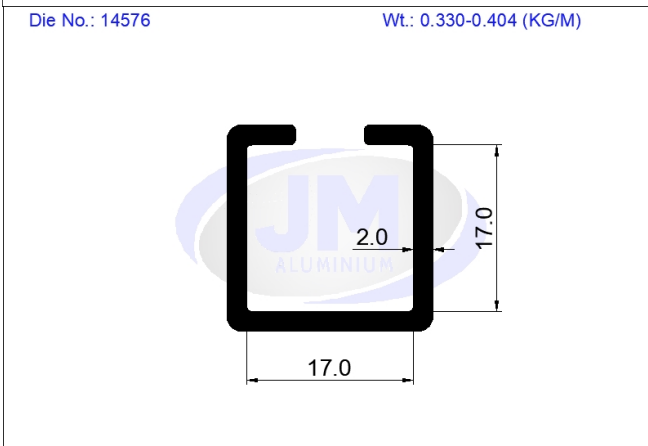
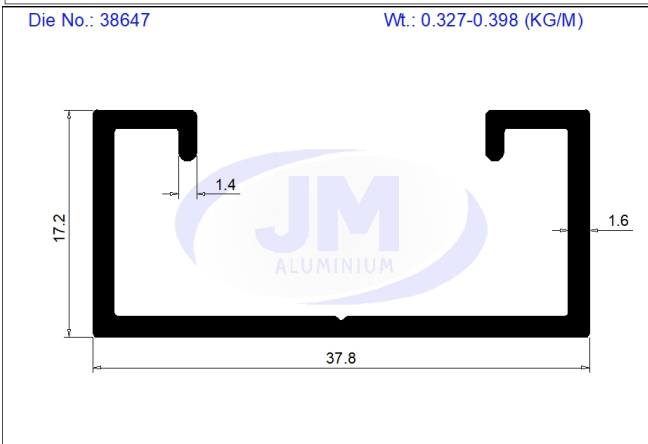
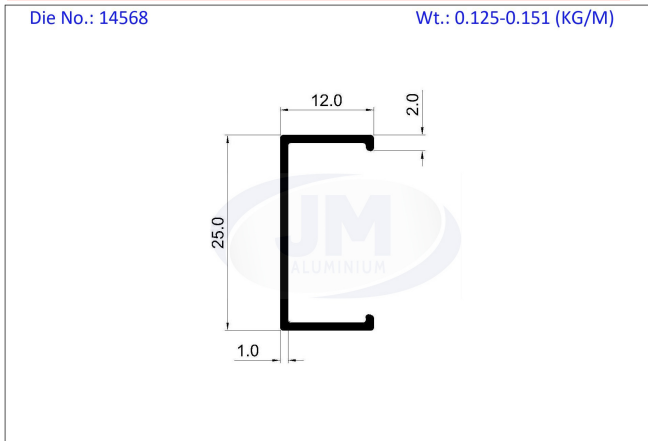
GEOMETRICAL SHAPES



C-Channel & Round Type Channel



GEOMETRICAL SHAPES



C-Channel & Round Type Channel

